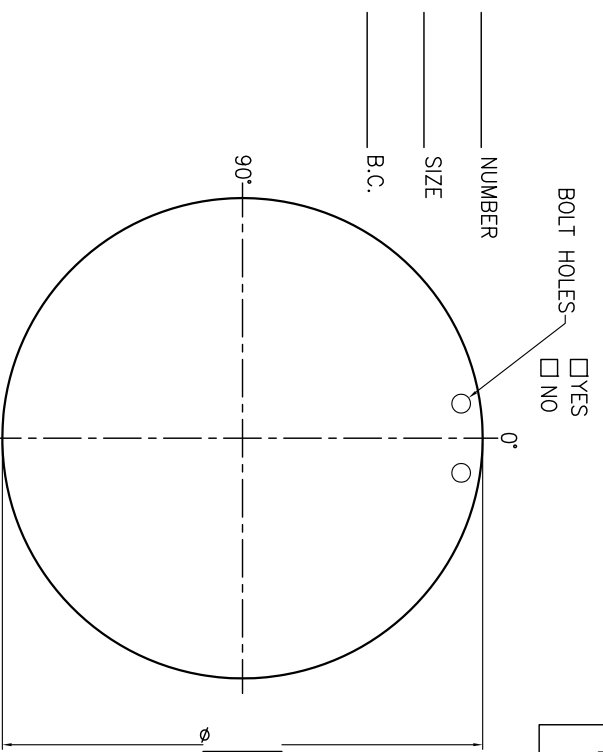
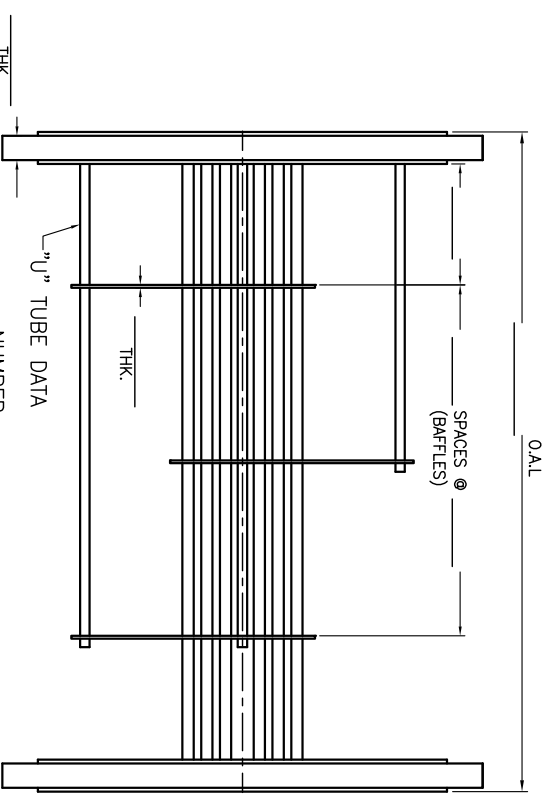


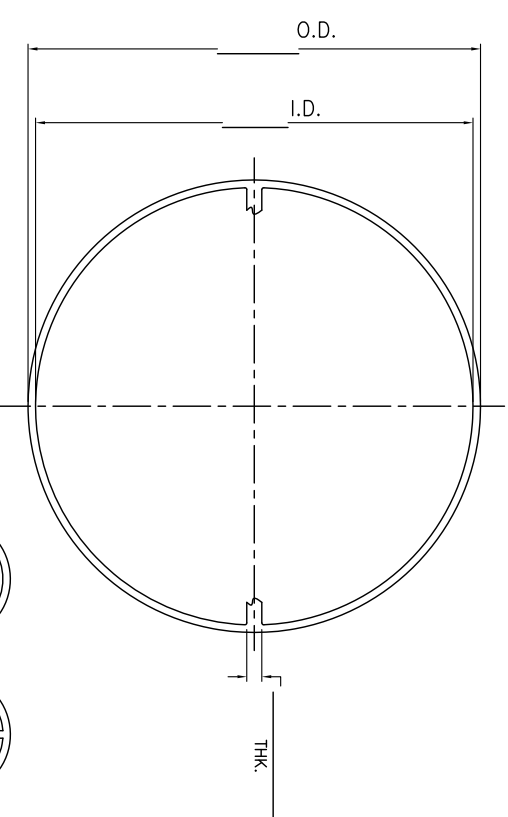
CUSTOMER DATA
 NAME _____
 PHONE(____) _____



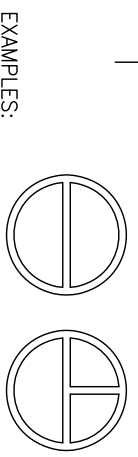
FRONT TUBESHEET DETAIL
 DEFINE CONFINEMENT GROOVES IF APPLICABLE



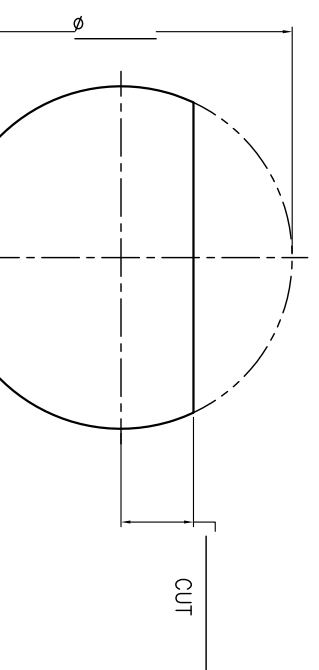
- _____ NUMBER
- _____ SIZE (OD)
- _____ GAGE (THK.)
- _____ PITCH (↔ △ □ ◇ ↔)
- _____ O.T.L. (∅)



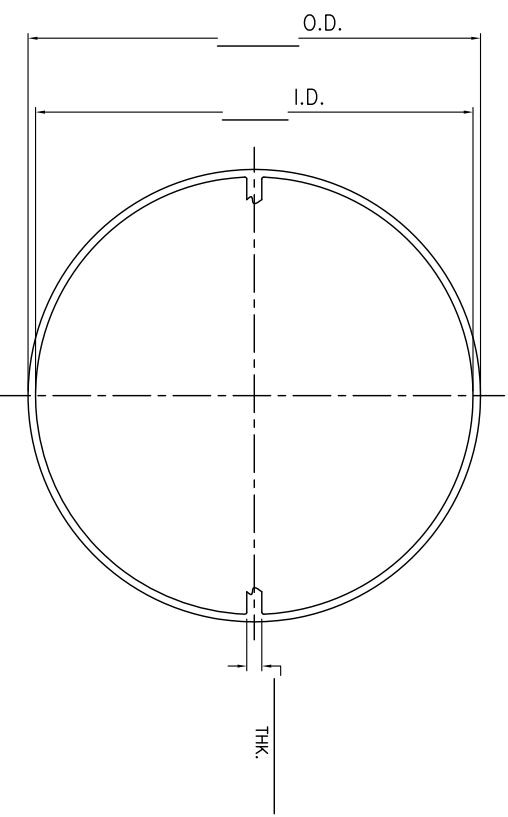
REAR TUBESHEET DETAIL
 DEFINE CONFINEMENT GROOVES IF APPLICABLE



REAR GASKET DETAIL



BAFFLE DETAIL
 DEFINE O
 DEFINE NOTCH



FRONT GASKET DETAIL

EXAMPLES:

MATERIAL OF CONSTRUCTION:

TUBESHEET _____ TUBES _____

BAFFLES _____ TIE RODS _____

Comments:

TOLERANCES EXCEPT AS NOTED		HEAT EXCHANGER DESIGN, INC.	
DECIMAL	±	P.O. BOX 524 45208 317-686-9000 Pk. 317-686-9100 Fx. www.hed-inc.com	DRAWN BY
FRACTIONAL	±		APPROVED BY
ANGULAR	±	TITLE	DATE
		STRAIGHT TUBE BUNDLE DATA	DRAWING NUMBER