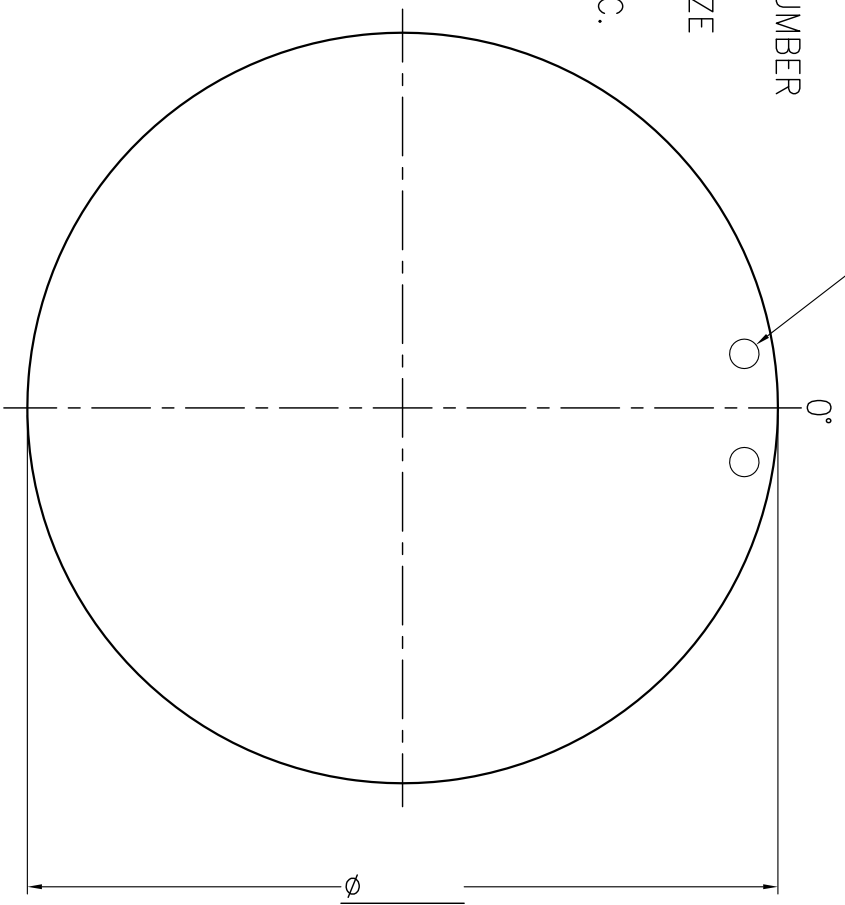


BOLT HOLES YES NO

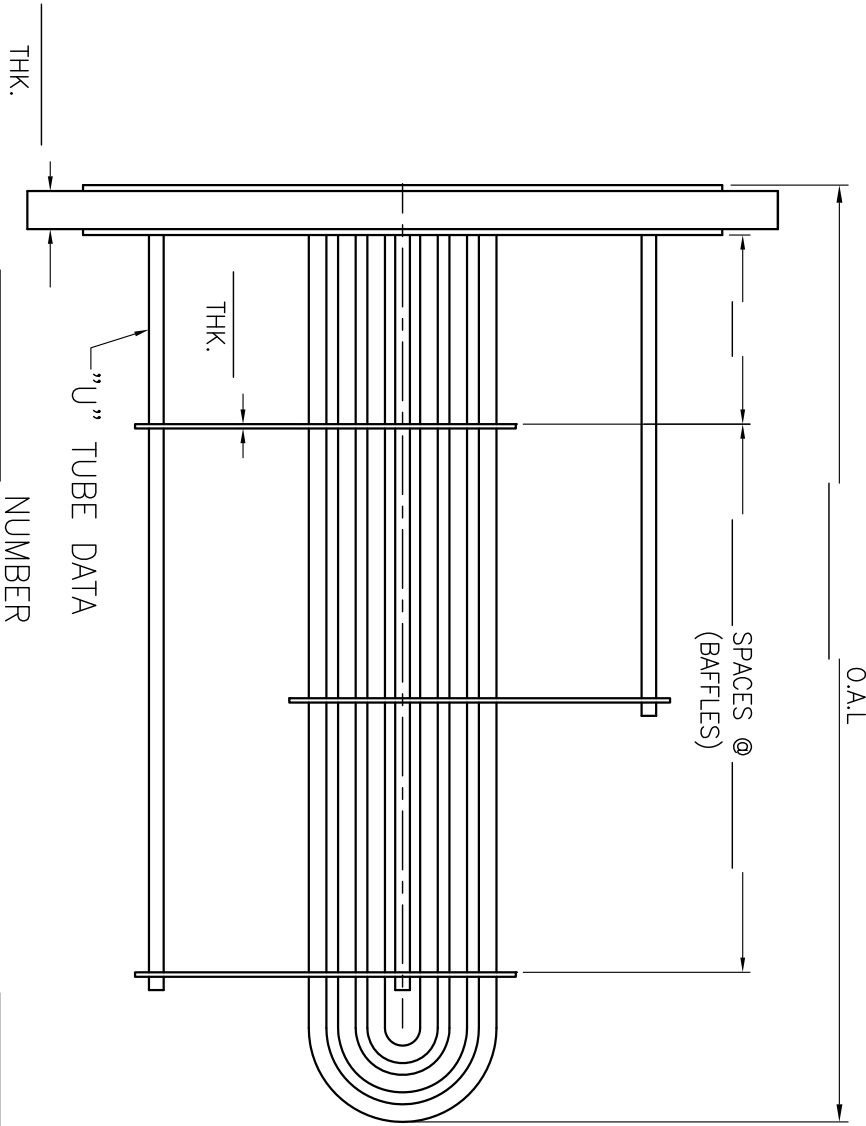
NUMBER _____

SIZE _____

B.C. _____



TUBESHEET DETAIL
 DEFINE CONFINEMENT GROOVES IF APPLICABLE



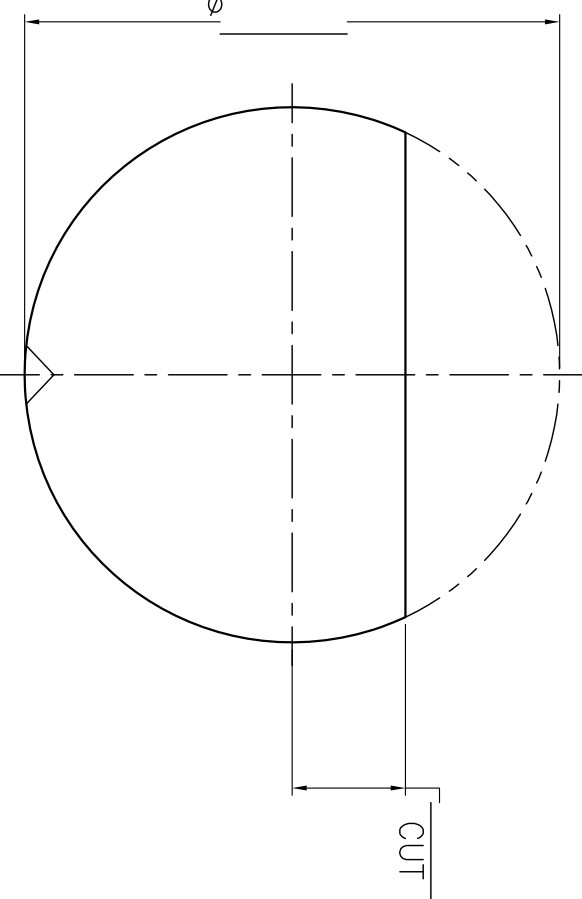
NUMBER _____

SIZE (OD) _____

GAGE (THK.) _____

PITCH (◀ ▶ ▷ ◁)

O.T.L. (Ø) _____



BAFFLE DETAIL
 DEFINE 0°
 DEFINE NOTCH

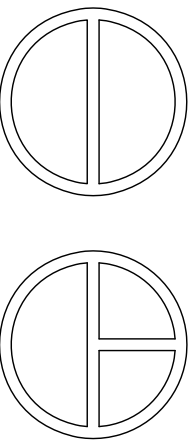
MATERIAL OF CONSTRUCTION:

TUBESHEET _____ TUBES _____

BAFFLES _____ TIE RODS _____

Comments:

EXAMPLES:



THK.

GASKET DETAIL

CUSTOMER DATA

NAME _____

PHONE(____) _____

TOLERANCES EXCEPT AS NOTED		HEAT EXCHANGER DESIGN, INC.	
DECIMAL	±	P.O. BOX 524 4508	DRAWN BY
FRACTIONAL	±	317-686-9000 Pk. 317-686-9100 Fx.	APPROVED BY
ANGULAR	±	www.hed-inc.com	
TITLE		U-TUBE BUNDLE DATA	
DATE		DRAWING NUMBER	